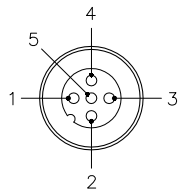
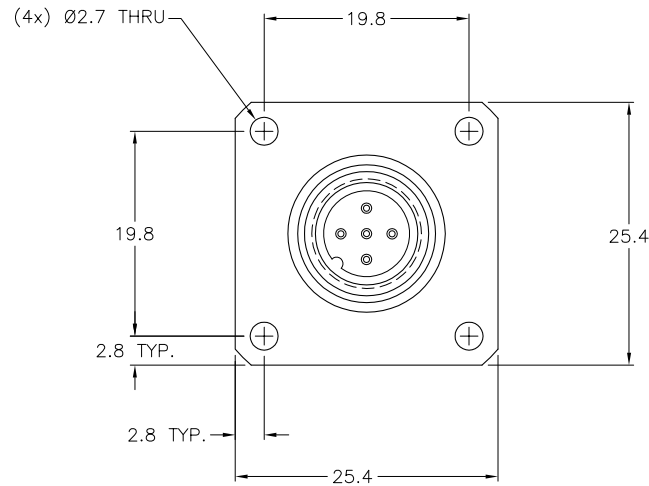
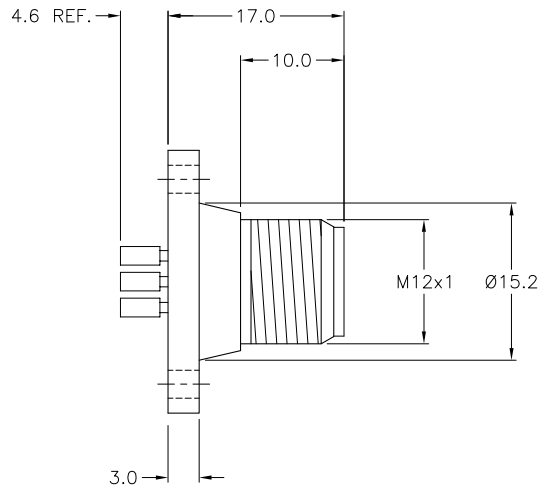


MALE END VIEW



SPECIFICATIONS

CONTACT CARRIER MATERIAL	NYLON
CONTACT MATERIAL/PLATING	BRASS/GOLD
RATED CURRENT [A]	2.0 A
RATED VOLTAGE [V]	60 VAC/75 VDC
HOUSING MATERIAL/PLATING	BRASS/NICKEL
TEMPERATURE RATING	-30°C to +80°C (-22°F to +176°F)



SOURCE DRAWING - FOR REFERENCE ONLY

NOTES:

1. "/CS10604" DESIGNATES FLANGE MOUNT RECEPTACLE.

RELATED DOCUMENTS 1. 2. 3. 4.	3RD ANGLE PROJECTION 	THIS DRAWING IS PROPERTY OF TURCK INC. USE OF THIS DOCUMENT WITHOUT WRITTEN PERMISSION IS PROHIBITED.		TURCK INC High Technology Sensors and Automation Controls 3000 CAMPUS DRIVE MINNEAPOLIS, MN 55441 1-800-544-7769 (763) 553-7300 (763) 553-0708 fax turck.com	
	MATERIAL SEE NOTES	DRFT RDS DSGN SWC	DATE 04/06/04 SCALE 1=.8	DESCRIPTION FS 4.5/CS10604	
FINISH SEE NOTES	ALL DIMENSIONS DISPLAYED ON THIS DRAWING ARE FOR REFERENCE ONLY CONTACT TURCK FOR MORE INFORMATION	UNIT OF MEASUREMENT MILLIMETERS		IDENTIFICATION NO. U0966-45	REV B
B UPDATE TO SHOW SOLDER CUPS PROTRUDING FROM RECEPT RDS 12/14/05 14262	REV DESCRIPTION BY DATE ECO NO.	DO NOT SCALE THIS DRAWING		FILE: CS10000\U0966-45	SHEET 1 OF 1